

8 7 6 5 4 3 2 1

D
79120
0

E

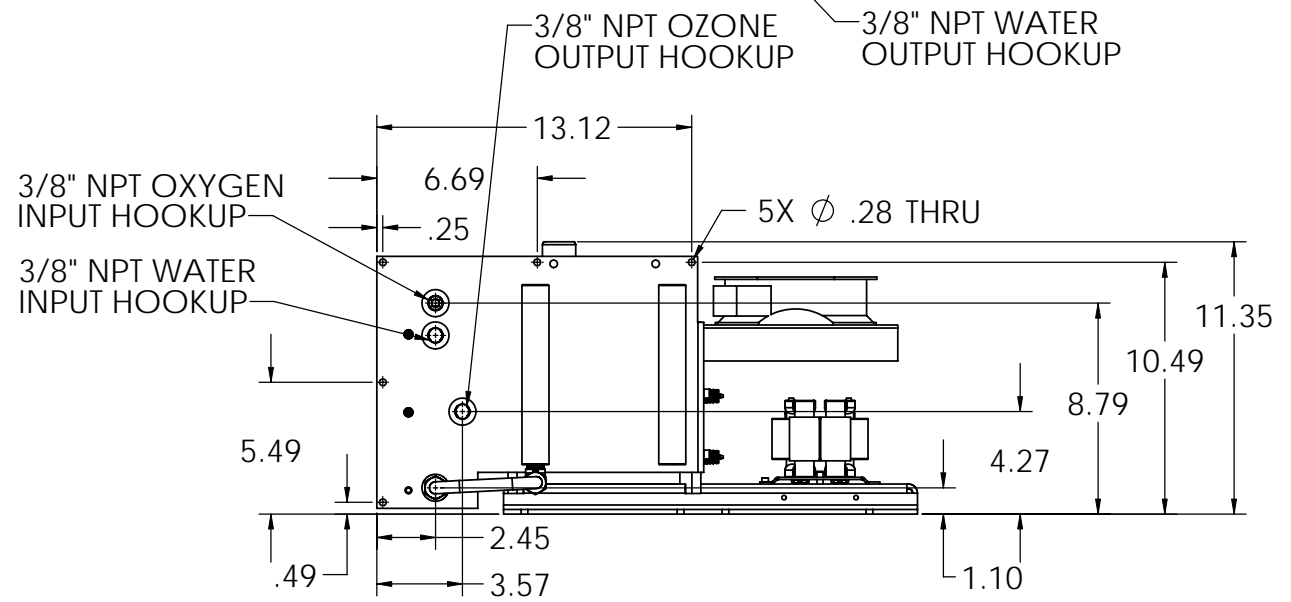
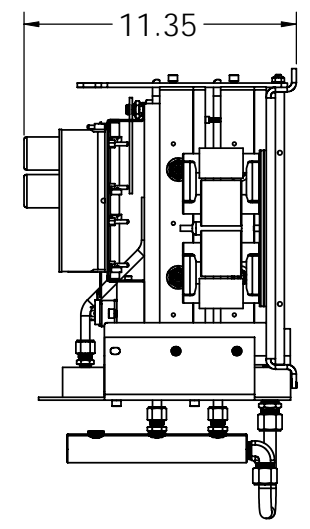
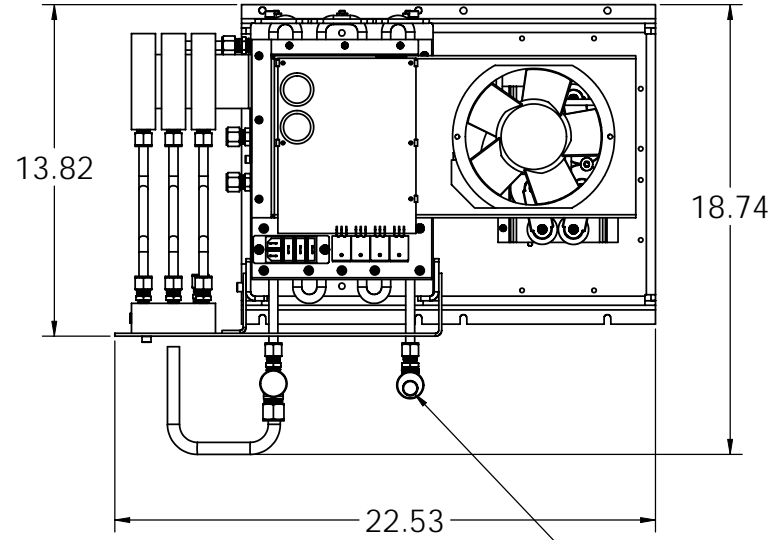
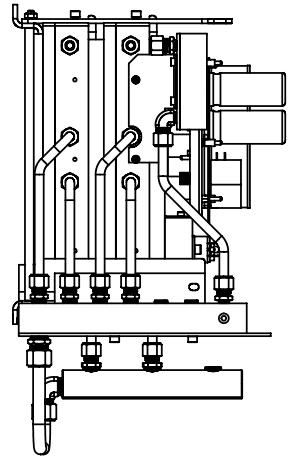
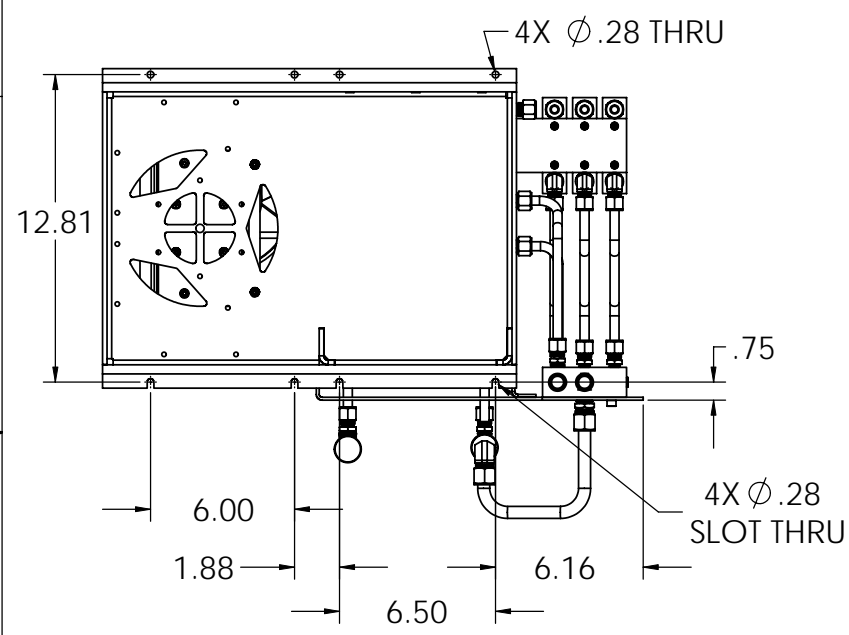
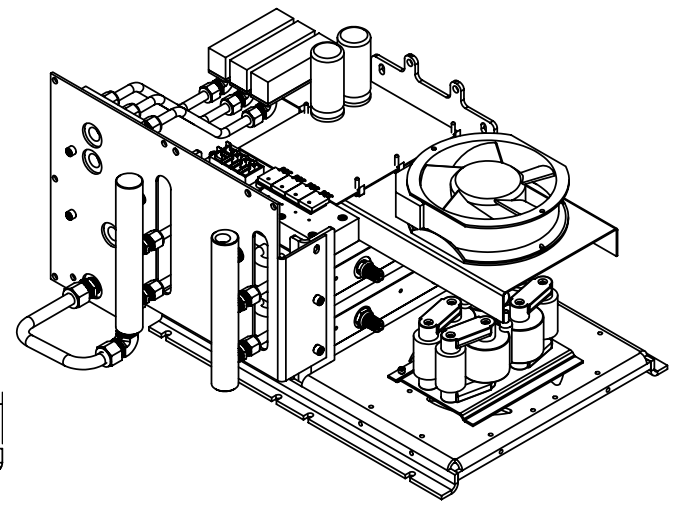
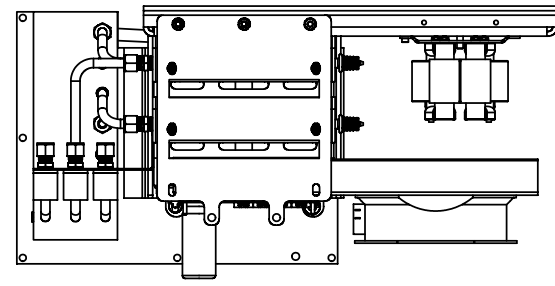
D

C

B

A

8 7 6 5 4 3 2 1



| TOLERANCE & MACHINE NOTES UNLESS OTHERWISE SPECIFIED | | NAME | DATE |
|---|---------|----------|---------|
| DIMENSIONS ARE IN INCHES @ 68-72 °F | | TM | 4/28/08 |
| TOLERANCES: | | CHECKED | |
| TWO PLACE DECIMAL | ±0.010 | ENG APPR | |
| THREE PLACE DECIMAL | ±0.005 | MFG APPR | |
| FOUR PLACE DECIMAL | ±0.0005 | | |
| MAXIMUM MACHINED SURFACE | 125µ | | |
| ANGULAR: ±0.5° | | COMMENTS | |
| CHAMFER ALL EDGES: .03 x 45° | | | |
| FILET RADIUS: .015 | | | |
| DO NOT SCALE DRAWING | | | |

PTI Plasma Technics Inc.

TITLE: Dual Cell Plasma Block 2 Up Main Assembly

SIZE: D DWG. NO: 79120 REV: 0

SCALE: 1:4 WEIGHT: SHEET 1 OF 1

| REV. | CHANGES | DATE | ENG. |
|------|-----------------|-----------|------|
| 0 | INITIAL RELEASE | 4/28/2008 | TM |